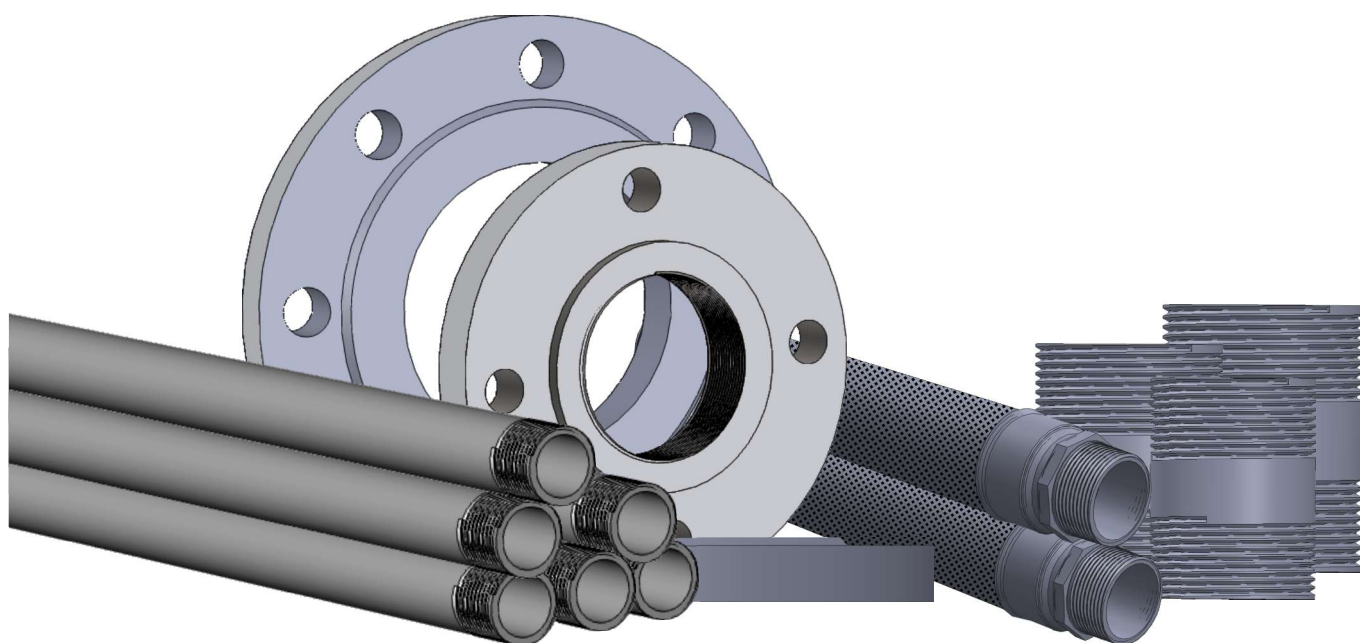




COLVIC
FUELGUARD



CoVic FUEL GUARD Steel Pipe and Fittings

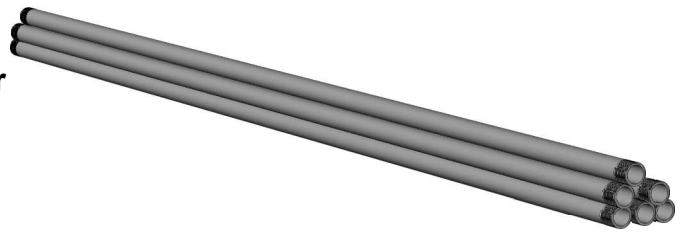
Steel Pipe and Fittings

Colvic offers a range of steel pipe, fittings, flanges and Petroflex pipe specifically for the petroleum industry.

- Steel pipe manufactured to SANS:10062 galvanised carbon steel electro resistant welded (ERW) medium wall. Thread BSPT (taper thread)
- Steel pipe fittings manufactured to SANS:10062 black carbon steel electro resistant welded (ERW) medium wall. BSPT (taper thread)
- Steel pipe seamless manufactured to ASTM A106 Grade B Sch 40
- Carbon steel flange manufactured in accordance to ANSI B 16.5 and ASA150
- ColVic FUELGUARD Petroflex connectors manufactured in accordance to BS6501 Part 1 (1991)

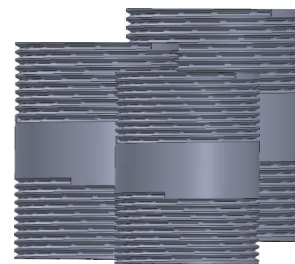
Steel Pipes Galvanised

- | | Part Number |
|--------------------------|--------------------|
| • 40mm nominal bore (NB) | 31627 |
| • 50mm nominal bore (NB) | 31630 |
| • 80mm nominal bore (NB) | 31629 |



Steel Pipe Fitting Black (Barrel Nipples)

- | | Part Number |
|---------------------------|--------------------|
| • 40mm nominal bore (NB) | 35210 |
| • 50mm nominal bore (NB) | 35212 |
| • 80mm nominal bore (NB) | 35216 |
| • 100mm nominal bore (NB) | 35218 |



Steel Pipe Seamless ASTM A106 Grade B Sch 40

- | | Part Number |
|--------------------------|--------------------|
| • 50mm nominal bore (NB) | 31648 |
| • 80mm nominal bore (NB) | 31654 |



CoIVic FUELGUARD Petroflex Connector

A fully corrosion and fuel-resistant hose suitable for connections located beneath the dispensers and in the tank chamber. Petroflex hose limits the number of joints, thereby reducing the number of potential leak points.

Design Benefits

- Suitable for use in regions that experience high and low temperatures
- Available as a one piece with male/male, male/female and female/ female connections
- Hexagon nuts fitted to the ends facilitate easy grip during installation, reducing installation damage
- Manufactured in accordance with pressure test requirements of BS6501 Part 1 (1991)
- Fire resistant with operating temperatures of 200°C - 600°C
- Good flow characteristics which afford a low pressure drop

Size	Part Number
40mm x 300mm	35248
40mm x 350mm	35351
40mm x 400mm	35250
40mm x 500mm	35252
50mm x 400mm	35256
50mm x 500mm	353258

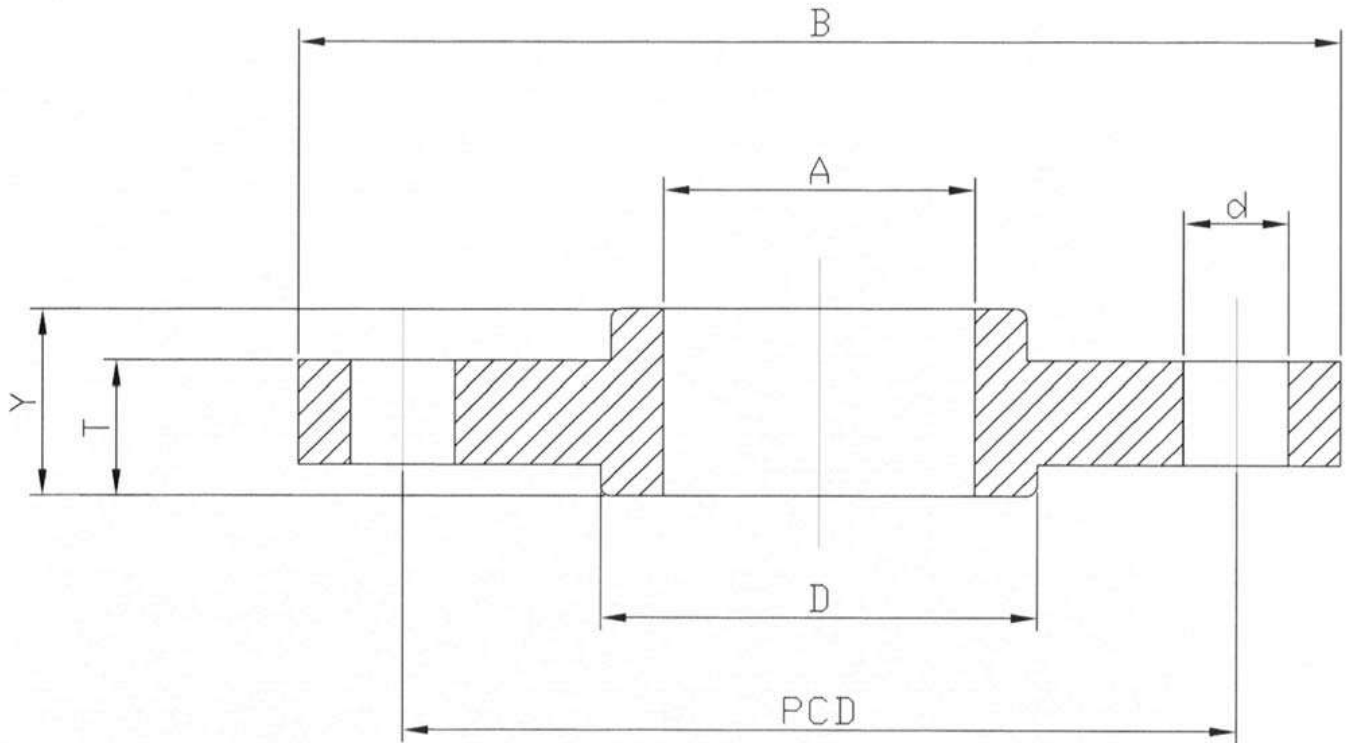
Material of construction

- Austenitic stainless steel hose and braiding manufactured to BS1449 Part 2 (1983)
- Mild steel nipples manufactured to SANS:10062



Carbon Steel Flange

Manufactured in accordance to ANSI B 16.5 and ASA150



ASA150 Screwed Carbon Steel Flanges

(Dimension in millimeters)

ColVic Part Number	Nominal Bore	Pipe OD	Flange Diameter	Raised Face Dia	Flange Thickness	Screwed Thickness	Bolt PCD	No of Bolts	Bolt Hole Dia	Mass Kg
35223	40	48,4	127,0	73	22,2	17,5	98,4	4	15,9	1,7
35225	50	60,3	152,4	92,1	25,4	19,0	139,7	4	19	2,77
35229	80	88,9	190,5	127	31,7	23,8	152,4	4	19	5,44
35231	100	114,3	228,6	157,2	33,8	23,8	190,5	8	19	7,37



ColVic Marketing and Engineering (Pty) Ltd

251 Albert Amon Road
Meadowdale
Germiston
PO Box 13759, Northmead, 1511
South Africa

Tel: +2711 4578500
Fax +2711 4578518
E-mail: marketing@colvic.co.za
Website www.colvic.co.za